

QWSD-62

DPDT, 12.4~18GHz, WR-62

- | | |
|--|---|
| Features:
* Low VSWR
* High Isolation
* Low Insertion Loss | Applications:
* Wireless
* Transmitter
* Laboratory Test
* Radar |
|--|---|

Electrical

Frequency:	12.4~18GHz
Insertion Loss:	0.1dB max.
VSWR:	1.1 max.
Isolation:	60dB min.
Voltage:	24±2V DC
current:	1.2A@24V DC

Mechanical

Interface:	WR-62
Operation Life:	0.1M Cycles
Switching Time:	50mS

Environmental

Operating Temperature:	-40~+85°C
Extended Temperature:	-55~+85°C
Non-operating temperature:	-55~+105°C

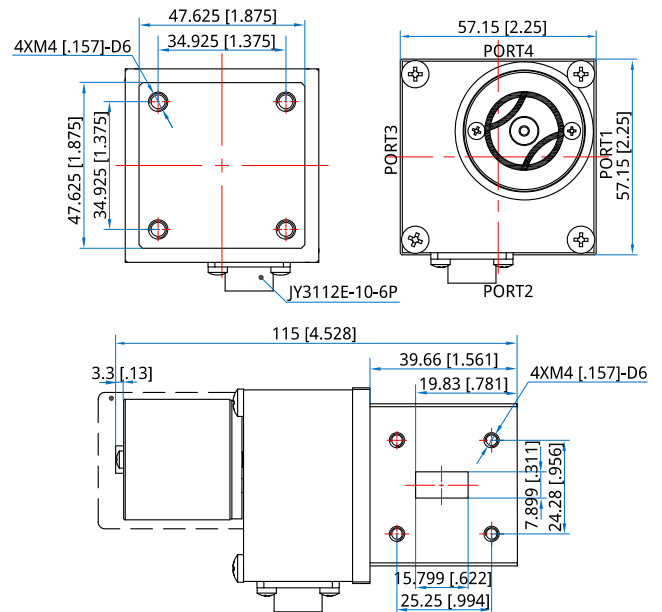
Pin Numbering

Pin	Function	Pin	Function
A	VDC	D	Indicator1
B	GND	E	COM(Indicator)
C	VDC	F	Indicator2

Control Logic

Position	A	B	C	RF Working Condition	Indicator status
POS 1	VDC	GND	NC	PORT1-PORT2 ON PORT3-PORT4 ON	D-E ON F-E OPEN
POS 2	NC	GND	VDC	PORT1-PORT4 ON PORT3-PORT2 ON	D-E OPEN F-E ON

Outline Drawings



Unit: mm [in]
 Tolerance: ±0.2mm [±0.008in]

Additional Options

- TTL: T
- Indicators: I
- Extended Temperature: Z

How To Order

QWSD-62-XYZ

- X: Voltage. +15V: F, +24V: K.
- Y: Interface Circular connector: 2.
- Z: Additional Options.

Examples:

To order a Waveguide Switch, DPDT, WR-62, +24V, TTL, Indicators, specify QWSD-62-K2TI.

Customization is available upon request.

Driving Schematic Diagram

